

INFRARED PAINT DRYING SUPERCURE

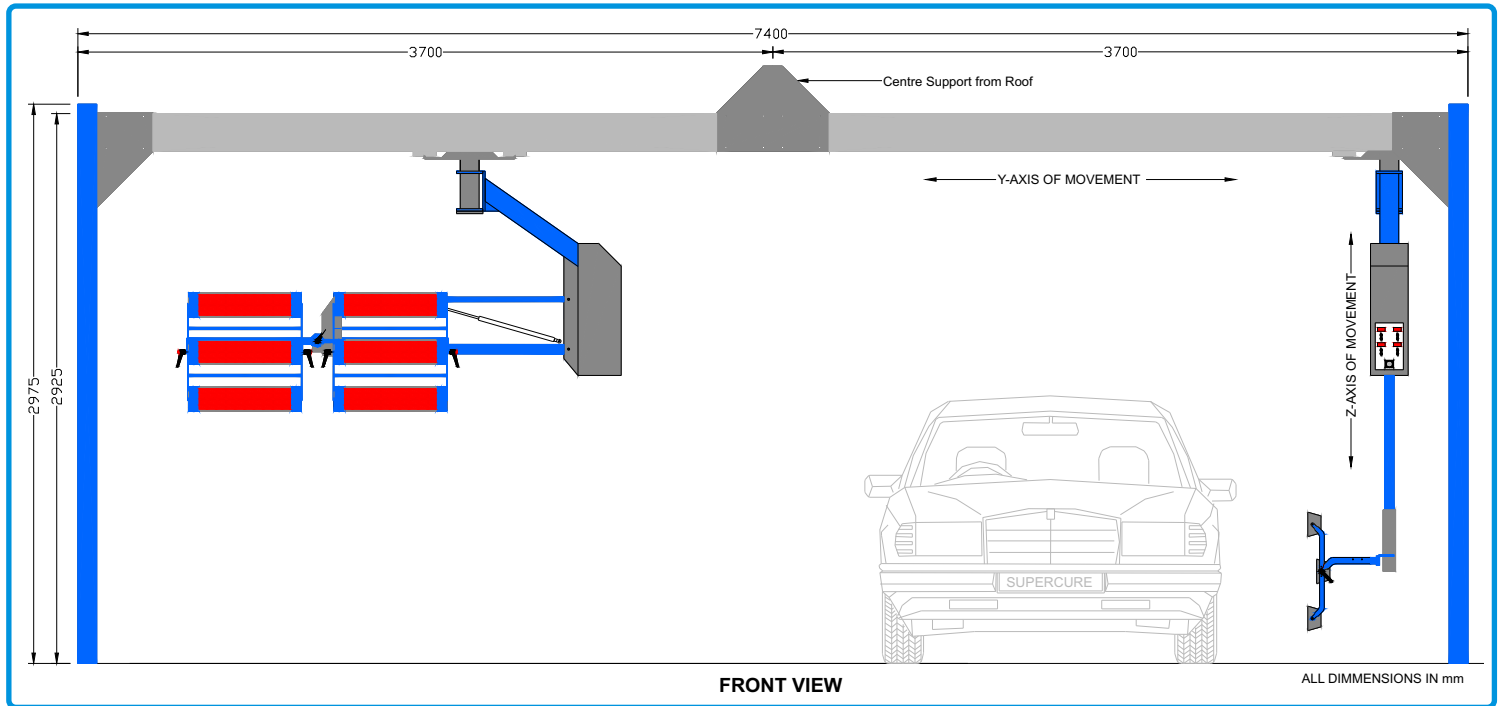
The Supercure[®] is a fully fledged professional paint curing system. The system can reach all the possible areas of a repair including high vehicles such as 4x4's and panel vans. The system runs from an overhead easy-glide rail system which folds away neatly allowing for more uncluttered work space. In addition the rail systems allows for larger heating banks so that larger area's can be cured at one time.



Features:

- Maximum area that can be cured:
3kW Unit:- 600mm x 600mm
6kW Unit:- 1800mm x 600mm
- All heater banks hang on easy-glide, self balancing cassette arms
- Adjustable height from 0.2m to 2.5m (depends on installation)
- Dual Adjustable timer sequence for flash off and bake
- 50% Power for Flash Off period and 100% Power for bake period.
- Alarm signal for end of cycle
- Can reach any exterior area on repair vehicle
- Cassettes can be adjusted for curing corners and edges

SUPERCURE INFRARED



The SUPERCURE Range Spray Booth Applications

Up to 8x5m Spray booths can be accommodated.

- 3kW 220 Vac 3 Phase
- 6kW 220Vac 3 Phase

Open Prep-bay Applications

Up to 8 Open Prep Bays can be accommodated.

- 3kW 220 Vac 3 Phase
- 6kW 220Vac 3 Phase

Typical Curing Times:

- Primer - 6-8 Minutes
- HI Build 10-12 Minutes
- Solid Colour - 11 Minutes
- Clear coat - 12 Minutes
- Filler/Stopper - 5-7 Minutes
- Waterborne Primer - 8-10 Min
- Water Bourne Base Coat - 5 Min.

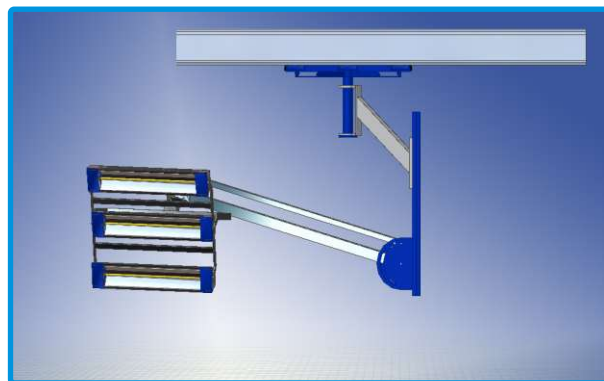
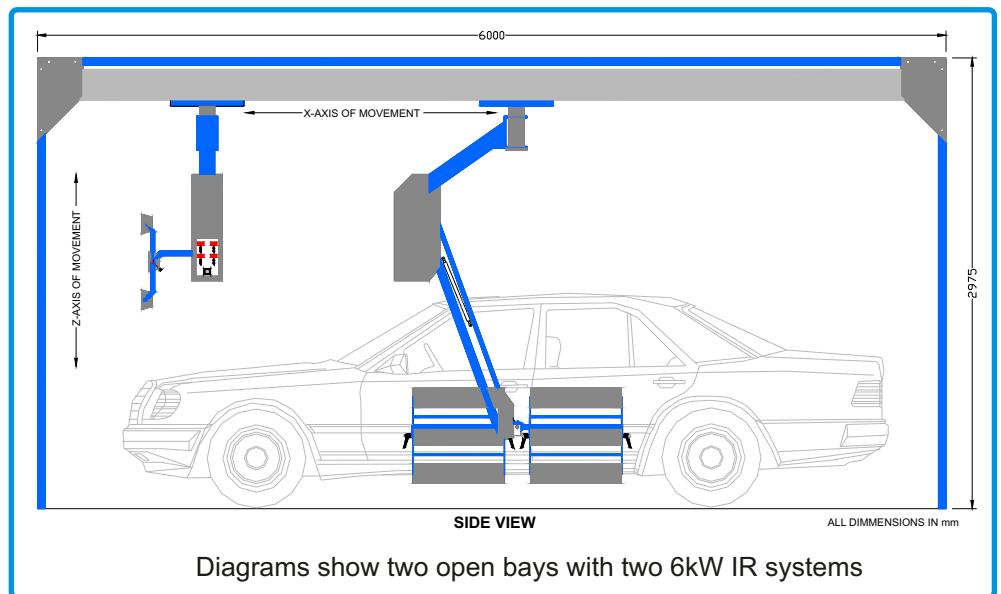
Please note the above times are approximations



Other Products in the Range:

- The Econocure for the small jobs
- The Hot box sample cure to dry colour matching plates
- The handy-cure for those small interior repairs
- Zone heaters to keep workforce warm during winter

E&OE



Distributed by: